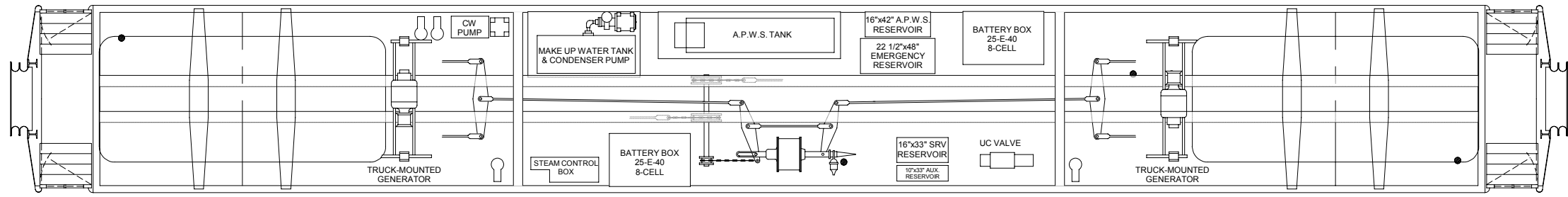
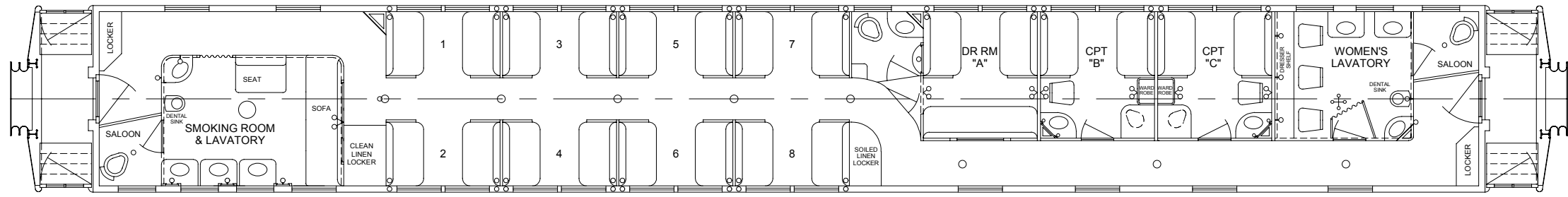
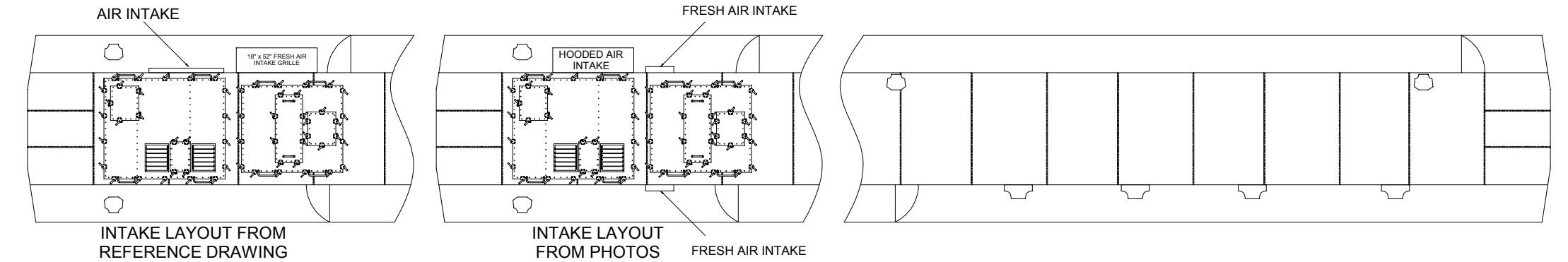
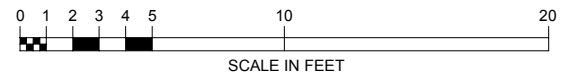


PULLMAN PLAN 3979A STEAM EJECTOR A/C LAYOUT



VIEW LOOKING UP FROM UNDERNEATH CAR



COPYRIGHT 2015 T. C. MADDEN
FOR NON-COMMERCIAL USE ONLY
ALL RIGHTS RESERVED